



P25

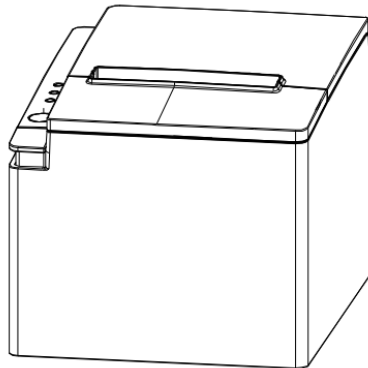
THERMAL RECEIPT PRINTER

[SPECIFICATION]

P25

Thermal Receipt Printer

User's Manual



Proficient in Commercial POS Receipt Printers

1. Safety Notice:

- * Don't touch the printer head with anything.
- * Don't touch the cutter blade.
- * Don't bend the power cord excessively or place any heavy objects onto it.
- * Don't use the printer when it is out of order. This can cause a fire or and electrocution.
- * When connecting or disconnecting the plug, always hold the plug but not the cord.
- * Keep the desiccant out of children's reach.
- * Use only approved accessories and do not try to disassemble, repair or remodel it by yourself.
- * Install the printer on the stable surface. Choose firm, level surface where avoid vibration.
- * Don't let water or other foreign objects into the printer.
- * Don't connect a telephone line into the peripheral drive connector.
- * We recommend that you unplug the printer from the power outlet if no use it for a long period.

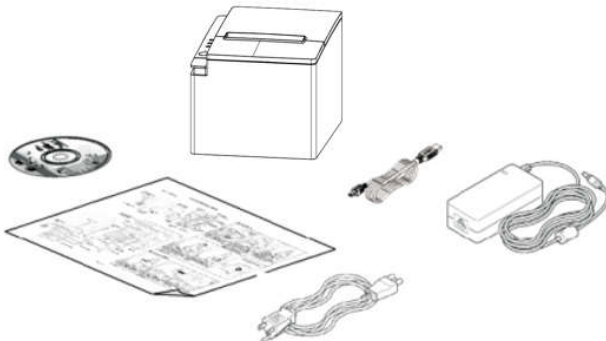
2. Applications:

- * POS system Receipts
- * EFT POS system Receipts
- * Gym, post, hospital, civil aviation system Receipts
- * Inquiry, Service system Receipts
- * Instrument test Receipts
- * Tax, Tab Receipts

3. Unpacking

After unpacking the unit, check that all the necessary accessories are included in the package.

- **User's Manual** 1 PCS
- **Printer** 1 PCS
- **Data Cable** 1 PCS
- **Power Adapter (include power cord)** 1 SET
- **Windows driver CD disk** 1PCS



4. Features

- * 200-250mm/sec high-speed printing
- * Support Kitchen Printing and Ethernet Printing
- * High print quality
- * Low working noise
- * Support cashdrawer kick-out
- * Easy maintenance
- * Various interface available (Serial + USB + Ethernet + Bluetooth)
- * Built-in data buffer
- * Support character enlargement, bold, underline, line spacing and character spacing
- * Support NV images download
- * Low energy consumption and low operation cost
- * Compatible with ESC/POS command set
- * Character per line and character settings
- * Support Ethernet Printing status monitor, multiple connection printing and OPOS printing
- * Support printer identification, software binding and high-speed driver mode
- * Support various character sets (include GB18030)
- * Support paper end detection
- * Support Windows, Android , Linux device connection



Support paper end detection



High-speed Printing



Printer Identification



Multiple Connection Printing



Driver



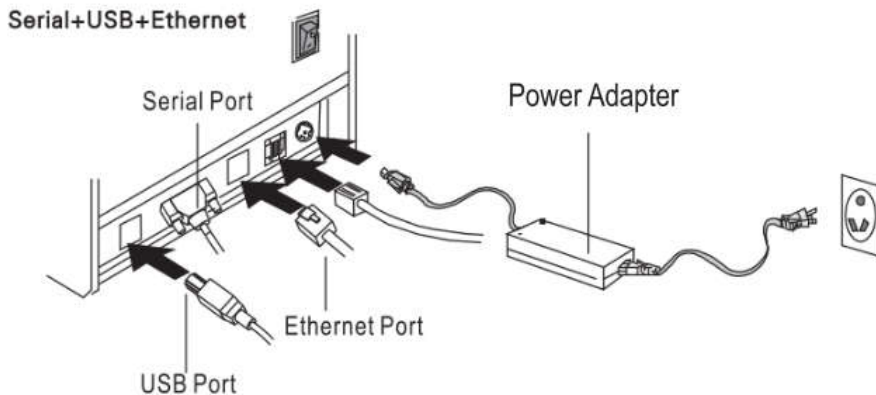
Various Character Sets

5.Specifications

Model	P25
Print method	Direct Thermal line
Print density	576dot/line
Print speed	250mm/sec
Print Resolution	8dots/mm(203DPI)
Print width	72mm
Paper thickness	0.06~0.08mm
Paper diameter	83mm
Print interface	Serial + USB + Ethernet Serial + USB + Ethernet + Bluetooth(optional)
Barcode type	UPC-A/UPC-E/JAN13(EAN13)/JAN8(EAN8)/ CODE39/ITF/CODEBAR/CODE93/CODE128 / QRCODE
Buffer	Data: 8K , NV Flash: 256K
Font type	International fonts /Simplified Chinese GB18030 / Traditional Chinese Big5
Font size	ANK Character: Font A: 12x12dot, Font B: 9x17dot; Chinese: 24x24dot
Print command	ESC/POS compatible
Power supply	AC 110V/220V, 50~60Hz
Power adapter	DC 24V/2.5A
Cash drawer	DC 24V/1A
Work environment	Temperature: 5~45℃, Humidity: 10~80%
Storage environment	Temperature: -10~50℃, Humidity: 10~90%
Dimension	175×138×124 mm(L×W×H)

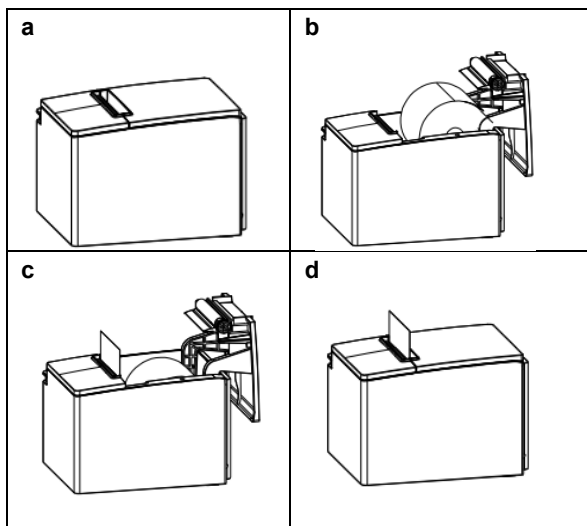
6. Printer Connection

- a. Plug the DC cord connector into the printer's power connector.
- b. Plug the data cable connector into the printer's interface connector.
- c. Plug the drawer cable into the drawer kick-out connector on the back of the printer next to the interface connector.

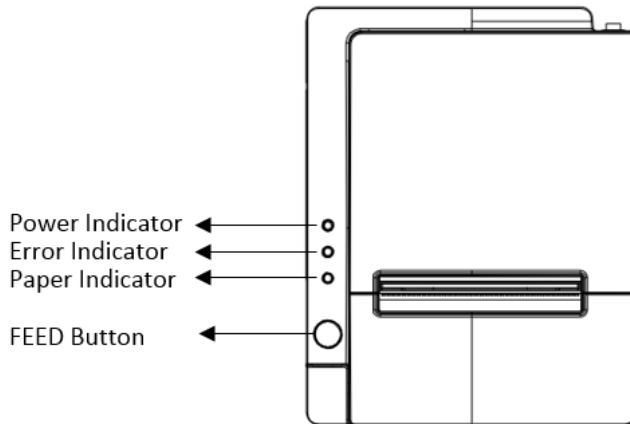


7. Installing the roll paper

- a. Open the printer cover.
- b. Install the roller in the roll paper, and put them into the printer.
- c. Pull out some paper outside the printer and then close the printer cover.
- d. Close the top cover. Press the printer cover to avoid error position of roll paper.



8. Buttons and Indicators



9. Functions of buttons and indicators

(1) . FEED Button

Press to feed paper manually.

(2) . PAPER Indicator

When this indicator is lighting as well as the ERROR indicator, printer is out of paper.

When this indicator is dim as well as the ERROR indicator, printer has paper.

When this indicator is lighting but the ERROR indicator is dim, roll paper is near end.

(3) . POWER Indicator

When this indicator lights, the printer is turned on.

When this indicator dims, the printer is turned off.

(4) . ERROR Indicator

When printer is in the status of paper out, cutter error or print head overheat, this indicator is flashing according to user's defined setting.

10. Cutter Maintenance

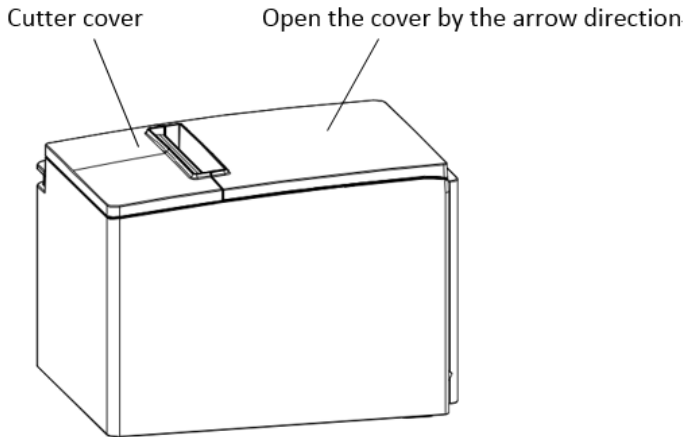
Step (1)

a. Turn off then on the printer, the printer will initialize and reset the cutter.

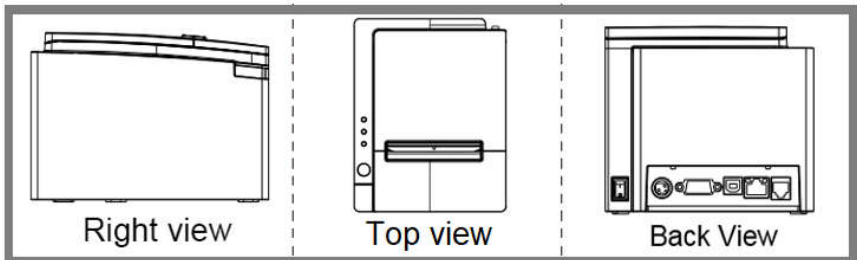
Step (2)

a. Open the front cover.

b. Wheel the gear on the cutter to make the cutter back to initial position. Open the printer cover and install roll paper correctly, then the printer works normally.



11. Printer view



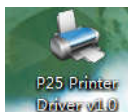
12. Connect the Bluetooth

The high edition P25 can be connected to the mobile phone APP via Bluetooth to print Recipe. After installing the Android APP, the software itself has built-in standard printing formats of various Recipe.

- a. Start the printer and press the function button of the printer. The printer prints out the interface information. In the receiving message, the printer's Bluetooth address can be checked.
- b. Download the APP software and install it on the phone.
- c. Connect printer and set Bluetooth in the APP
 - Open APP click Settings, and then click "setup Bluetooth";
 - Click "scan Bluetooth", and then select the corresponding printer P25 connection.
Note: The printer Bluetooth Name can be viewed by printing the self-check test page
Bluetooth Name
 - Display is connected, after connection, can push the back button of device to the graphic, edit the printer.

Note: The Bluetooth name and password should be changed according to the actual requirements, except for special requirements, it is generally not recommended to change.

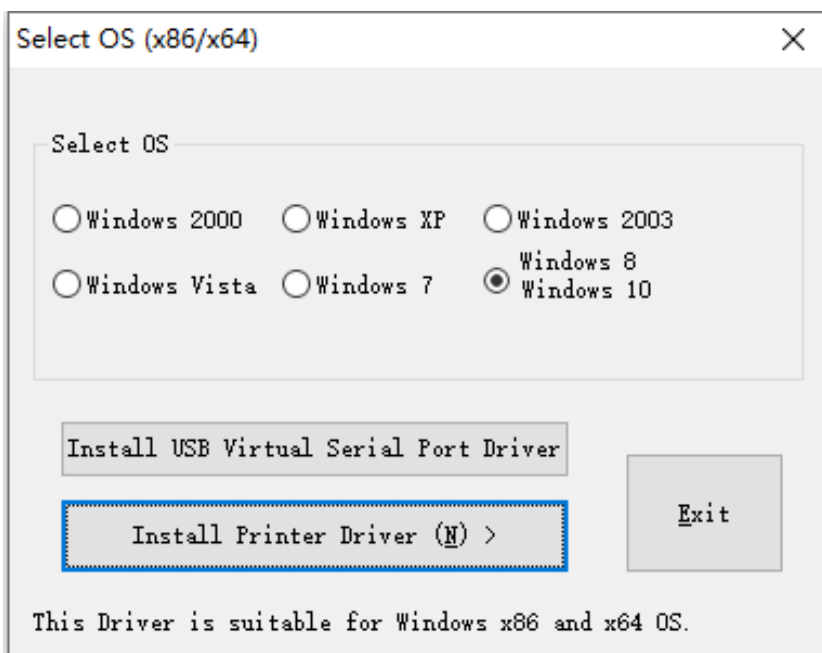
13. Driver Setup



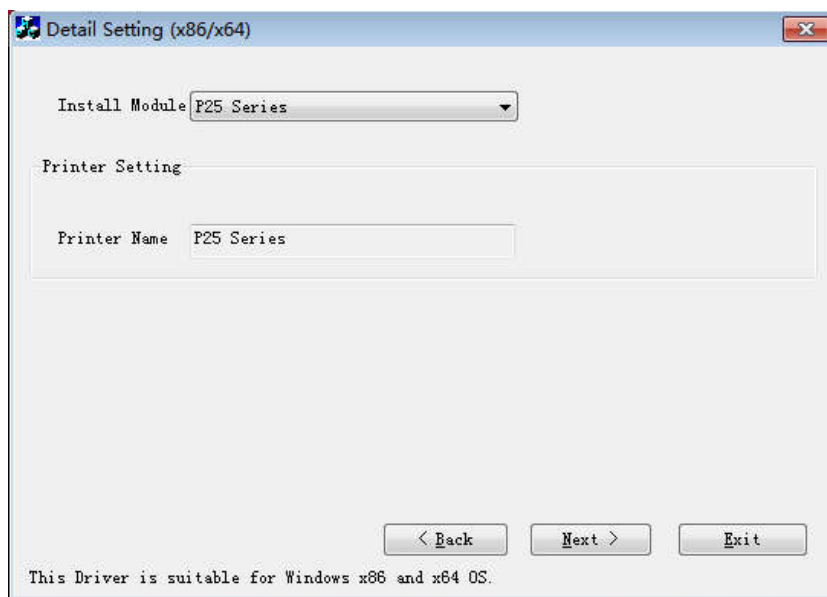
- a. Insert the bundled CD disk into the CD-ROM drive, in the CD-ROM menu, click P25 Printer Driver V1.0 file to begin driver installation ,click Next.



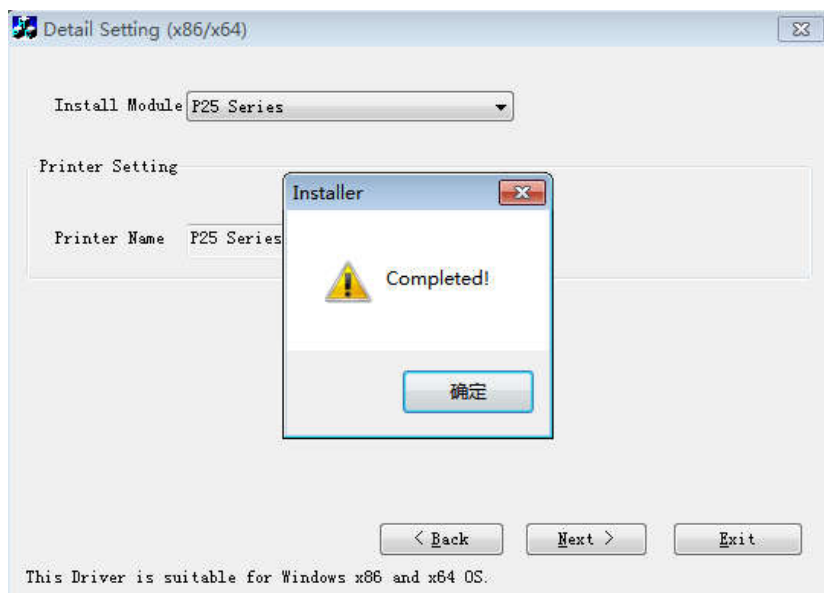
- b. Select the operation system that you're using




- c. Select the driver P25 Series and click next



d. Complete the setup.





Warning: The contents of this manual shall not be changed without consent. We reserve the right to change the products in terms of technology, components, software and hardware. Users may contact the reseller if they need further information about the product. No section of this manual may be reproduced or transmitted in any form or by any means without permission.

